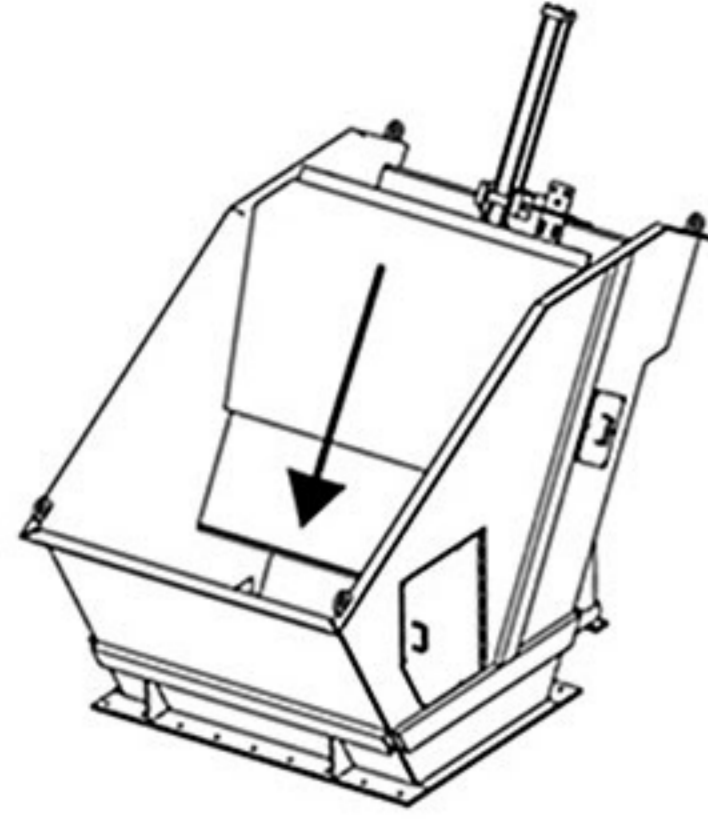


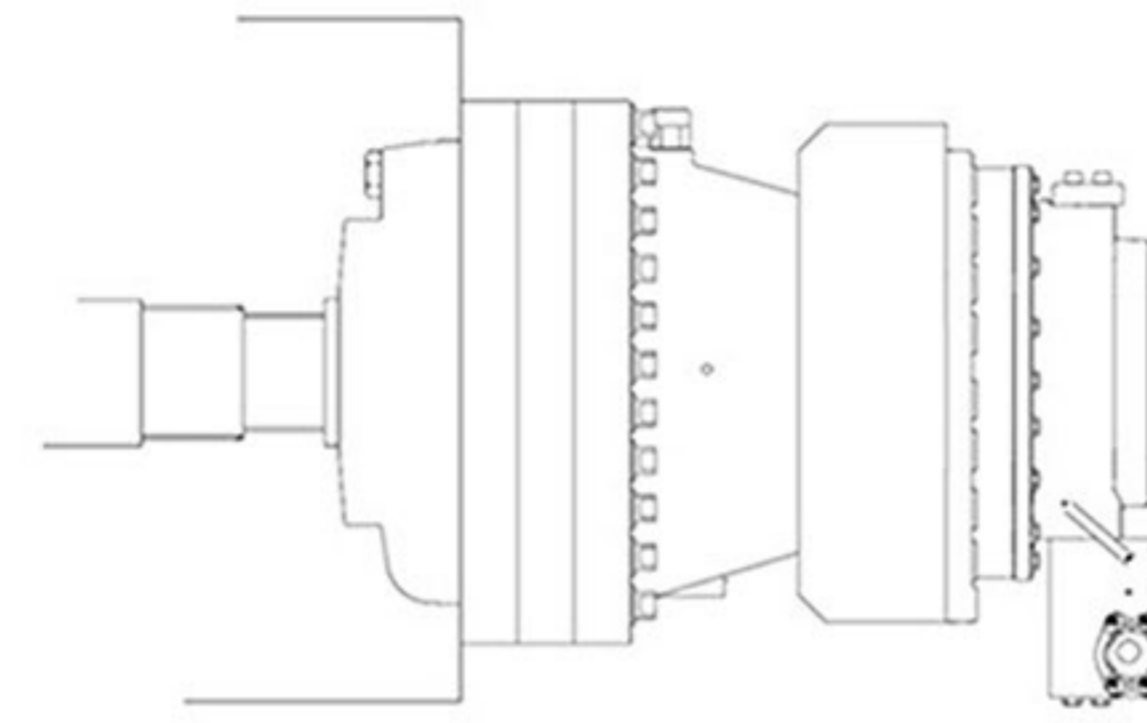
Hopper

Ideal for shredding round objects. A ram hopper is available as an option.



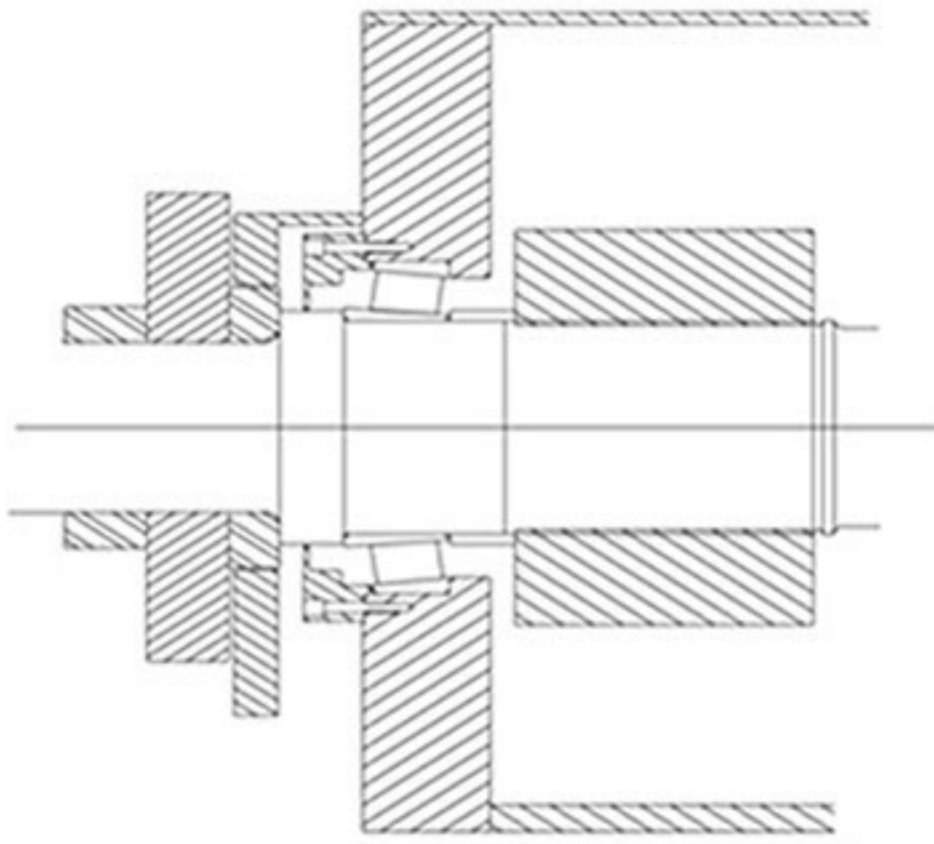
Adjustable to various drive types

Depending on the application, different drive type including, electric drive, hydraulic drive, smart drive are available.



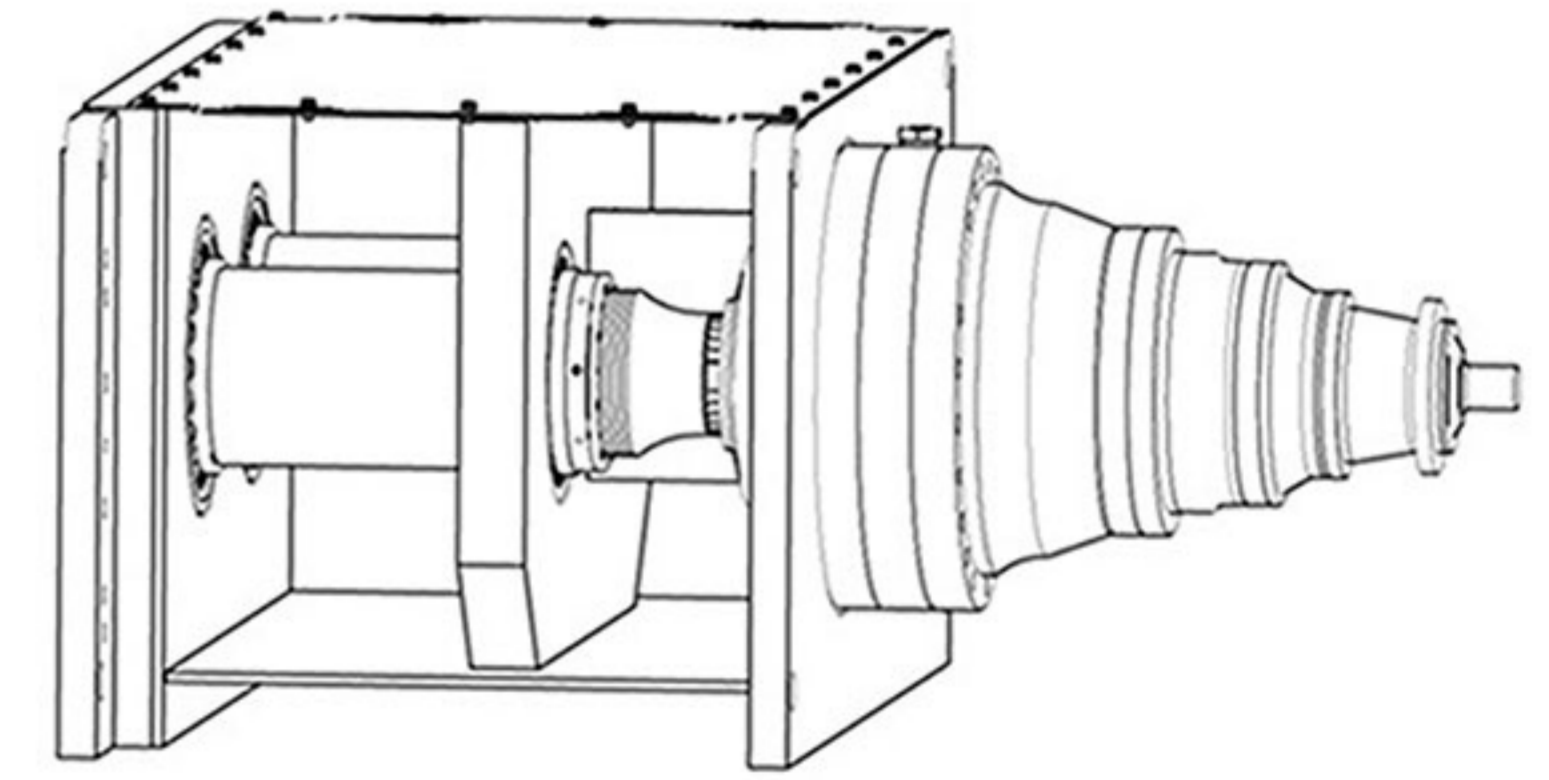
Bearing and Seal Protection

Sealing system ensures the bearing free of dusts for longer life span.



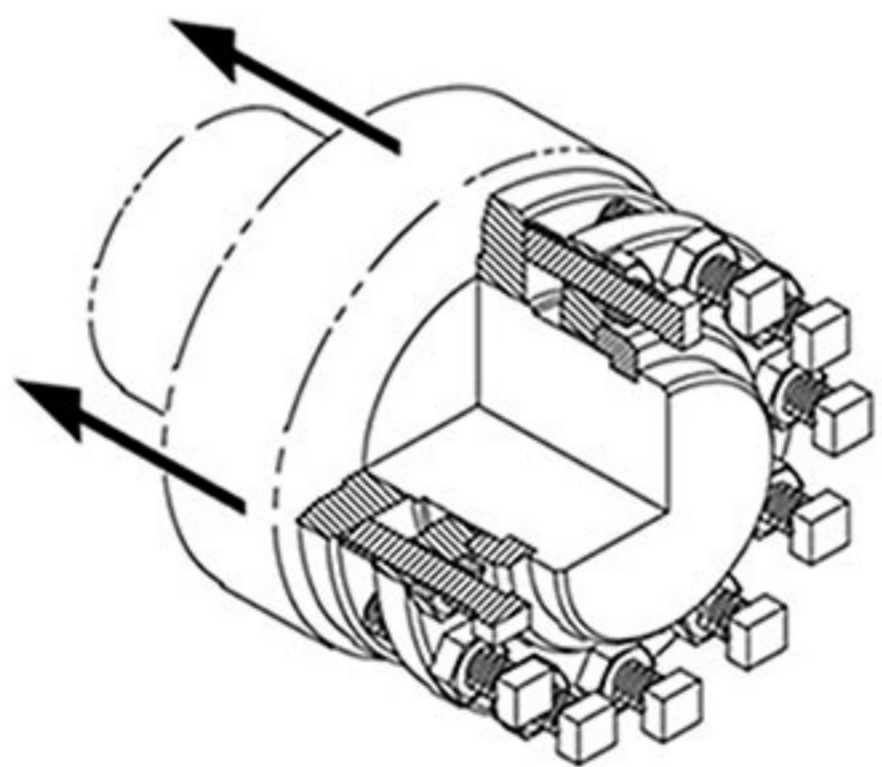
Direct Drive

As the planetary gear reducer is directly splined to the drive shaft, the torque is increased.



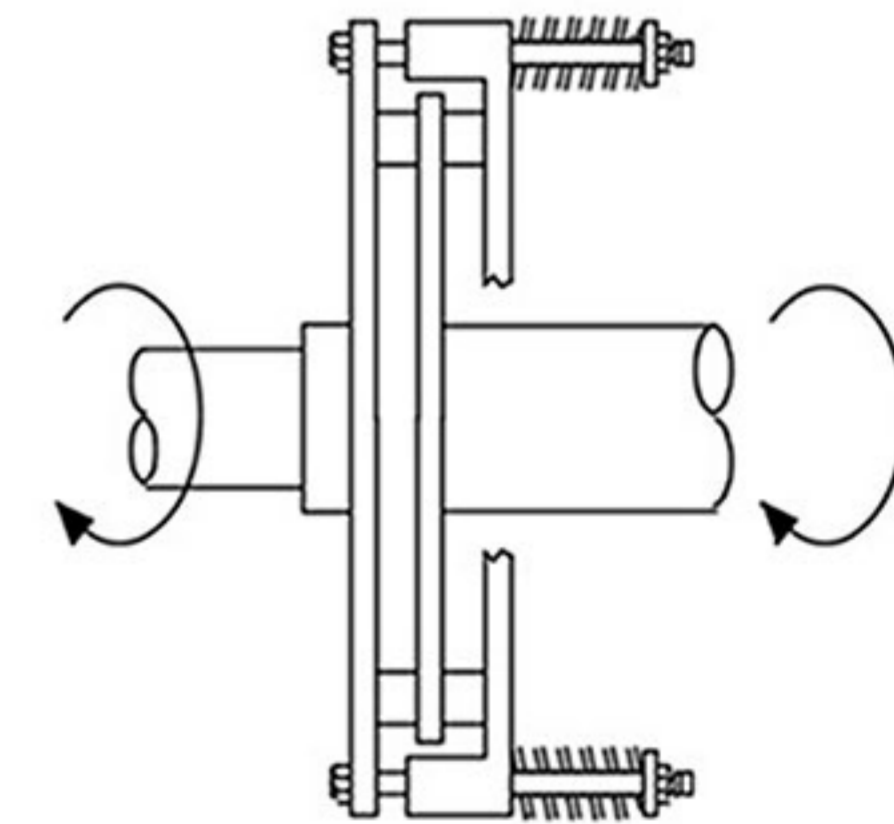
ACLS™ (Patented)

The ACLS (Advanced Cutter Locking System) keeps the cutter stuck tight. Frequent retightening becomes unnecessary and cutter life increases.



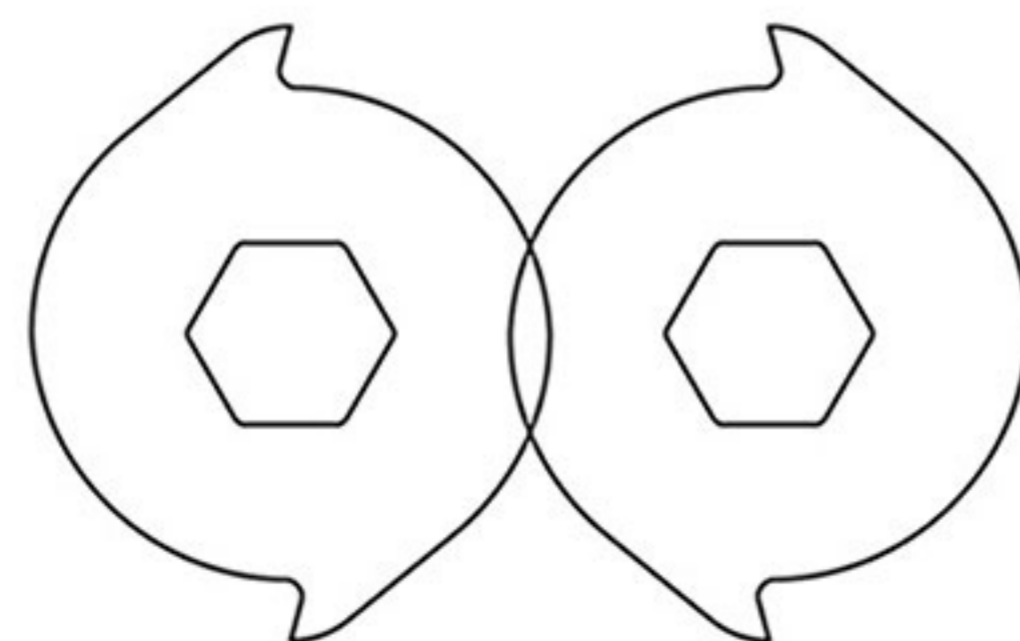
SSP™ (Patented)

SSP™ (Severe Shock Protection) technology protects the system from potential damage while the cutter shaft instantaneously comes to a stop.



Cutter

Multi-directional cutters for optimal efficiency. Thickness, hook height, hook quantity can be adjusted to each material and worn cutters can be re-built using a unique welding method.



Cleaning Finger

Cleaning fingers prevent material from accumulating between cutters or wrapping around the a shredder's shaft. They also provide extra shaft support in applications which experience shaft flexing.

